

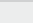


SPRINT - ZEUS - VIGOR - ZENIT - HIDRA

/ Caricatore Frontale
/ Front Loaders
/ Pala Cargadora
/ Chargeur frontal

	SPRINT			ZEUS			VIGOR			ZENIT			HIDRA		
	70	100	200	200	300	400	200	300	400	200	300	400	200	300	400
Work angles															
min. filling angle ¹	47°	47°	47°	47°	47°	47°	47°	47°	47°	47°	47°	47°	47°	47°	47°
min. unloading angle ²	57°	57°	57°	57°	57°	57°	57°	57°	57°	57°	57°	57°	57°	57°	57°
Lifting height															
Max. lifting height at pivoting point	3.10 m 10.2 ft.	3.60 m 11.9 ft.	3.90 m 12.8 ft.	3.85 m 12.7 ft.	4.15 m 13.6 ft.	4.40 m 14.4 ft.	3.85 m 12.7 ft.	4.15 m 13.6 ft.	4.40 m 14.3 ft.	3.85 m 12.7 ft.	4.15 m 13.6 ft.	4.40 m 14.4 ft.	4 m 13.2 ft.	4.15 m 13.7 ft.	4.50 m 14.8 ft.
Lifting force															
Lifting force to the centre of the pin, on the ground	1.906 Kg 4202 Lbs.	2.359 Kg 5200 Lbs.	2.158 Kg 4790 Lbs.	2.810 Kg 6195 Lbs.	2.960 Kg 6512 Lbs.	3.235 Kg 7131 Lbs.	2.810 Kg 6195 Lbs.	2.960 Kg 6512 Lbs.	3.235 Kg 7135 Lbs.	2.810 Kg 6195 Lbs.	2.960 Kg 6512 Lbs.	3.235 Kg 7131 Lbs.	2.501 Kg 5515 Lbs.	2.826 Kg 6230 Lbs.	3.090 Kg 6812 Lbs.
Max. lifting force to the pivoting point, max. lifting height	1.018 Kg 2244 Lbs.	1.025 Kg 2260 Lbs.	1.112 Kg 2450 Lbs.	1.793 Kg 3950 Lbs.	1.823 Kg 4020 Lbs.	1.914 Kg 4219 Lbs.	1.793 Kg 3950 Lbs.	1.823 Kg 4020 Lbs.	1.914 Kg 4225 Lbs.	1.793 Kg 3950 Lbs.	1.823 Kg 4020 Lbs.	1.914 Kg 4219 Lbs.	2.150 Kg 4740 Lbs.	2.753 Kg 6070 Lbs.	2.880 Kg 6349 Lbs.
Lifting force at 800 mm from the pin, on the ground	1.301 Kg 2868 Lbs.	1.684 Kg 3715 Lbs.	1.555 Kg 3430 Lbs.	2.032 Kg 4480 Lbs.	2.219 Kg 4895 Lbs.	2.471 Kg 5442 Lbs.	2.032 Kg 4480 Lbs.	2.219 Kg 4895 Lbs.	2.471 Kg 5450 Lbs.	2.032 Kg 4480 Lbs.	2.219 Kg 4895 Lbs.	2.471 Kg 5442 Lbs.	1.808 Kg 3985 Lbs.	2.120 Kg 4675 Lbs.	2.360 Kg 5202 Lbs.
Lifting force at 800 mm from the pin, max. lifting height	610 Kg 1344 Lbs.	675 Kg 1490 Lbs.	736 Kg 1620 Lbs.	1.193 Kg 2630 Lbs.	1.217 Kg 2685 Lbs.	1.249 Kg 2753 Lbs.	1.193 Kg 2630 Lbs.	1.217 Kg 2685 Lbs.	1.249 Kg 2755 Lbs.	1.193 Kg 2630 Lbs.	1.217 Kg 2685 Lbs.	1.249 Kg 2753 Lbs.	1.420 Kg 3131 Lbs.	1.909 Kg 4210 Lbs.	2.050 Kg 4519 Lbs.
Maximum breakout force at 800 mm from the pin	2.255 Kg 4971 Lbs.	2.517 Kg 5550 Lbs.	2.397 Kg 5285 Lbs.	3.048 Kg 6725 Lbs.	3.583 Kg 7900 Lbs.	3.890 Kg 8575 Lbs.	3.048 Kg 6725 Lbs.	3.583 Kg 7900 Lbs.	3.890 Kg 8580 Lbs.	3.048 Kg 6725 Lbs.	3.583 Kg 7900 Lbs.	3.890 Kg 8575 Lbs.	2.874 Kg 6335 Lbs.	3.209 Kg 7075 Lbs.	3.812 Kg 8484 Lbs.
 Weight (only boom)	780 Kg 1719 Lbs.	450 Kg 995 Lbs.	490 Kg 1080 Lbs.	530 Kg 1168 Lbs.	630 Kg 1388 Lbs.	780 Kg 1719 Lbs.	w580 Kg 1280 Lbs.	680 Kg 1500 Lbs.	830 Kg 1830 Lbs.	565 Kg 1245 Lbs.	665 Kg 1466 Lbs.	780 Kg 1719 Lbs.	680 Kg 1500 Lbs.	750 Kg 1655 Lbs.	860 Kg 1895 Lbs.
 HP	70-100	45-65	70-120	70-120	100-150	120-200	70-120	100-150	120-200	70-120	100-150	120-200	70-120	100-170	120-200
No. of tractor cylinders	3 (4)	3	4	4	6	6	4	6	6	4	6	6	4	6	6



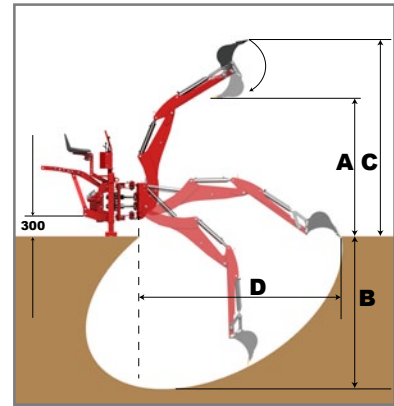
Via B. Spinoza, 8 - Città di Castello (PG) - ITALY
☎ +39 075 852 20 63 ☎ +39 075 852 78 61
info@monago.it - www.monago.it



Monago si riserva il diritto di varare in ogni momento e senza preavviso caratteristiche e specifiche tecniche. / Design and/or specifications are subject to change without notification. / Monago se reserva el derecho a modificar en cualquier momento y sin preaviso las características y especificaciones técnicas.

MS

/ Retroescavatore Traslabile idraulicamente
 / Hydraulic side-shift backhoe
 / Retroexcavadora con traslación hidráulica
 / Pelle-Rétro à déport latéral hydraulique



	MS 180	MS 230	MS 250	MS 270	MS 290
Loading height (A)	150 cm. 4.95 ft.	205 cm. 6.7 ft.	205 cm. 6.7 ft.	237 cm. 7.8 ft.	240 cm. 7.9 ft.
Digging depth (B)	180 cm. 5.9 ft.	230 cm. 7.6 ft.	250 cm. 8.2 ft.	270 cm. 8.9 ft.	290 cm. 9.5 ft.
Max. height (C)	225 cm. 7.4 ft.	274 cm. 9 ft.	288 cm. 9.5 ft.	337 cm. 11 ft.	346 cm. 11.4 ft.
Digging width (D)	247,5 cm. 8.1 ft.	296 cm. 9.7 ft.	301 cm. 10.2 ft.	353 cm. 11.6 ft.	360 cm. 11.8 ft.
Max. width	120 cm. 3.9 ft.	160 cm. 5.3 ft.	160 cm. 5.3 ft.	200 cm. 6.6 ft.	200 cm. 6.6 ft.
Breakout force	1500 Kg. 3310 Lbs.	2600 Kg. 5730 Lbs.	2600 Kg. 5730 Lbs.	2800 Kg. 6180 Lbs.	2800 Kg. 6180 Lbs.
Rotation angle	180°	180°	180°	180°	180°
Pump capacity	18 l/m	26 l/m	26 l/m	42 l/m	42 l/m
Pressure	180 bar 2610 psi	180 bar 2610 psi	180 bar 2610 psi	180 bar 2610 psi	180 bar 2610 psi
Bucket series	1	2	2	3	3
Weight with standard bucket	395 Kg. 870 Lbs.	560 Kg. 1234 Lbs.	570 Kg. 1256 Lbs.	780 Kg. 1720 Lbs.	795 Kg. 1753 Lbs.

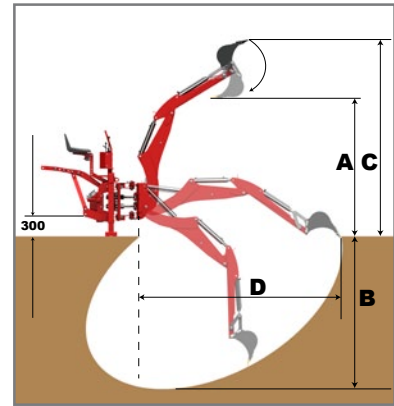
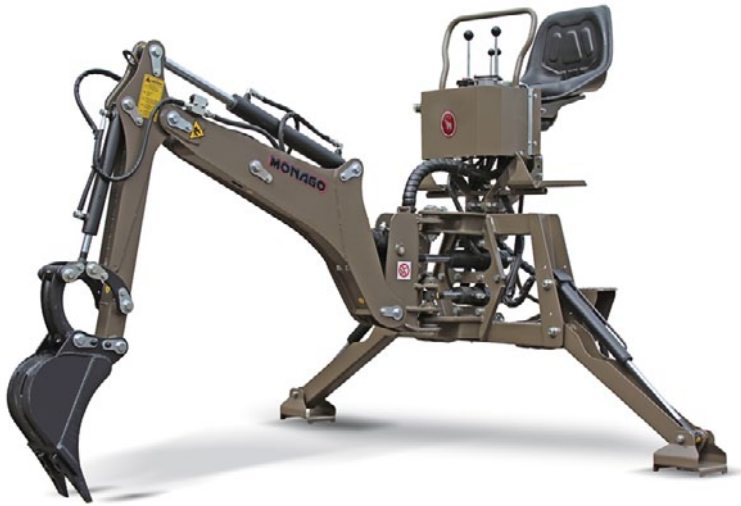


Via B. Spinoza, 8 - Città di Castello (PG) - ITALY
 ☎ +39 075 852 20 63 - 📠 +39 075 852 78 61
 info@monago.it - www.monago.it



MF

/ Retroescavatore Fisso
 / Fixed backhoe
 / Retroexcavadora fija
 / Pelle-Rétro à châssis fixe



	MF 100	MF 120	MF 180	MF 230	MF 250	MF 270
Loading height (A)	940 cm. 3.1 ft.	950 cm. 3.1 ft.	1500 cm. 4.9 ft.	2050 cm. 6.8 ft.	2050 cm. 6.8 ft.	2100 cm. 6.9 ft.
Digging depth (B)	1190 cm. 3.9 ft.	1220 cm. 3.9 ft.	1800 cm. 5.9 ft.	2300 cm. 7.6 ft.	2500 cm. 8.2 ft.	2700 cm. 8.9 ft.
Max. height (C)	1800 cm. 5.9 ft.	1800 cm. 5.9 ft.	2250 cm. 7.4 ft.	2740 cm. 9 ft.	2880 cm. 9.5 ft.	2900 cm. 9.5 ft.
Digging width (D)	1700 cm. 5.6 ft.	1700 cm. 5.6 ft.	2475 cm. 8.1 ft.	2960 cm. 9.7 ft.	3010 cm. 9.9 ft.	3050 cm. 10 ft.
Max. width	1950 cm. 6.4 ft.	2250 cm. 7.4 ft.	2250 cm. 7.4 ft.	2600 cm. 8.6 ft.	2600 cm. 8.6 ft.	2600 cm. 8.6 ft.
Breakout force	1100 Kg. 2450 Lbs.	1500 Kg. 3300 Lbs.	1500 Kg. 3300 Lbs.	2600 Kg. 5750 Lbs.	2600 Kg. 5750 Lbs.	2600 Kg. 5750 Lbs.
Rotation angle	180°	180°	180°	180°	180°	180°
Pump capacity	13 l/m	18 l/m	18 l/m	26 l/m	26 l/m	26 l/m
Pressure	180 bar 2610 psi	180 bar 2610 psi	180 bar 2610 psi	180 bar 2610 psi	180 bar 2610 psi	180 bar 2610 psi
Bucket series	1	1	1	2	2	2
Weight with standard bucket	285 Kg. 628 Lbs.	345 Kg. 760 Lbs.	375 Kg. 826 Lbs.	490 Kg. 1080 Lbs.	500 Kg. 1102 Lbs.	515 Kg. 1135 Lbs.



Via B. Spinoza, 8 - Città di Castello (PG) - ITALY
 ☎ +39 075 852 20 63 - 📠 +39 075 852 78 61
 info@monago.it - www.monago.it










MS / MF





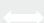


/ Attrezzi Terminali





/ Implements

/ Implementos

/ Outils

SERIE 1							
 Width	20 cm. 8 in.	25 cm. 10 in.	30 cm. 12 in.	40 cm. 16 in.	-	60 cm. 24 in.	-
 Capacity SAE	12l	15l	20l	30l	30l	39l	-
 Weight	19 Kg. 39 Lbs.	21 Kg. 46 Lbs.	23 Kg. 51 Lbs.	29 Kg. 64 Lbs.	42 Kg. 93 Lbs.	29 Kg. 64 Lbs.	45 Kg. 100 Lbs.

SERIE 2								
 Width	25 cm. 10 in.	30 cm. 12 in.	40 cm. 16 in.	50 cm. 20 in.	60 cm. 24 in.	-	100 cm. 39 in.	-
 Capacity SAE	20l	25l	36l	47l	58l	38l	81l	-
 Weight	23 Kg. 51 Lbs.	30 Kg. 66 Lbs.	35 Kg. 77 Lbs.	42 Kg. 93 Lbs.	47 Kg. 104 Lbs.	42 Kg. 93 Lbs.	56 Kg. 124 Lbs.	45 Kg. 100 Lbs.

SERIE 3									
 Width	25 cm. 10 in.	30 cm. 12 in.	40 cm. 16 in.	50 cm. 20 in.	60 cm. 24 in.	70 cm. 28 in.	-	100 cm. 39 in.	-
 Capacity SAE	34l	34l	49l	64l	79l	95l	49l	103l	-
 Weight	36 Kg. 80 Lbs.	39 Kg. 86 Lbs.	45 Kg. 99 Lbs.	52 Kg. 115 Lbs.	59 Kg. 130 Lbs.	66 Kg. 145 Lbs.	46 Kg. 101 Lbs.	62 Kg. 137 Lbs.	75 Kg. 165 Lbs.

Monago si riserva il diritto di variare in ogni momento e senza preavviso caratteristiche e specifiche tecniche. / Design and/or specifications are subject to change without notification.
/ Monago se reserva el derecho a modificar en cualquier momento y sin previo aviso las características y especificaciones técnicas.



Via B. Spinoza, 8 - Città di Castello (PG) - ITALY
 ☎ +39 075 852 20 63 - 📠 +39 075 852 78 61
 info@monago.it - www.monago.it



LM

/ Lama Livellatrice retroportata

/ Rear scraper blade

/ Hoja niveladora trasera

/ Lame niveleuse rétro-portée



 Model	 Blade width	 Blade height	 HP	 Angle	 Offset	 Tilt dozer	 Weight
LM-200	200 cm. 6.5 ft.	50 cm. 20 in.	80-100 HP	Mecc. 40°	No	Mecc. 18°	590 Kg. 1300 Lbs.
LM-250	250 cm. 8.2 ft.	50 cm. 20 in.	80-120 HP	Mecc. 40°	No	Mecc. 18°	635 Kg. 1400 Lbs.
LM-300	300 cm. 9.9 ft.	50 cm. 20 in.	80-120 HP	Mecc. 40°	No	Mecc. 18°	685 Kg. 1505 Lbs.
LM 11-200	200 cm. 6.5 ft.	50 cm. 20 in.	80-100 HP	Mecc. 40°	Idr. 600	Mecc. 18°	595 Kg. 1310 Lbs.
LM 11-250	250 cm. 8.2 ft.	50 cm. 20 in.	80-120 HP	Mecc. 40°	Idr. 600	Mecc. 18°	640 Kg. 1410 Lbs.
LM 11-300	300 cm. 9.9 ft.	50 cm. 20 in.	80-120 HP	Mecc. 40°	Idr. 600	Mecc. 18°	690 Kg. 1520 Lbs.
LM 21-200	200 cm. 6.5 ft.	50 cm. 20 in.	80-100 HP	Idr. 40°	Mecc. 600	Idr. 18°	610 Kg. 1345 Lbs.
LM 21-250	250 cm. 8.2 ft.	50 cm. 20 in.	80-120 HP	Idr. 40°	Mecc. 600	Idr. 18°	655 Kg. 1440 Lbs.
LM 21-300	300 cm. 9.9 ft.	50 cm. 20 in.	80-120 HP	Idr. 40°	Mecc. 600	Idr. 18°	700 Kg. 1540 Lbs.
LM 31-200	200 cm. 6.5 ft.	50 cm. 20 in.	80-100 HP	Idr. 40°	Idr. 600	Idr. 18°	615 Kg. 1355 Lbs.
LM 31-250	250 cm. 8.2 ft.	50 cm. 20 in.	80-120 HP	Idr. 40°	Idr. 600	Idr. 18°	660 Kg. 1450 Lbs.
LM 31-300	300 cm. 9.9 ft.	50 cm. 20 in.	80-120 HP	Idr. 40°	Idr. 600	Idr. 18°	705 Kg. 1550 Lbs.



Via B. Spinoza, 8 - Città di Castello (PG) - ITALY

+39 075 852 20 63 - +39 075 852 78 61

info@monago.it - www.monago.it





ZAPPATRICI / ROTARY TILLERS / ROTAVATOR / FRAISES ROTATIVES

COMMANDER

ITA | ENG | ESP | FRA

COMMANDER

- / Zappatrici
- / Rotary tillers
- / Rotavator
- / Fraises rotatives



Le zappatrici Commander sono adatte per trattrici di bassa e media potenza.

Tutte hanno la trasmissione laterale ad ingranaggi, particolare robustezza del telaio e 6 zappette di serie per flangia. Utilizzate per la preparazione del terreno dopo l'aratura, il rimescolamento delle stoppie e di residui vegetali, il controllo meccanico delle infestanti, la rottura di prati stabili, la preparazione diretta senza aratura sono solo alcune delle molteplici possibilità di impiego delle zappatrici Commander.

Supporti impermeabili del rotore nella serie Medium e Heavy Duty.

I modelli HD hanno di serie il cambio a 4 velocità, a richiesta possono montare rulli posteriori.



The Commander rotary hoes are suitable for low and medium power tractors.

All the machines have the side gear drive, particularly sturdy frame and 6 blades for flange. Used in the preparation of the ground after plowing, the mixing of stubble and plant remains on the field, mechanical weed control, breakage of permanent meadows, direct preparation without plowing are just some of the many possible applications of the Commander machines. Waterproof rotor supports on the Medium and Heavy Duty series.

HD models are standard equipped with 4 speed gearbox, upon request can be equipped with rear rollers.



Los rotavadores Commander son apropiados para tractores de baja y media potencia.

Todos tienen la transmisión lateral por engranajes, particularmente robusto y equipadas con 6 cuchillas por brida. Se utiliza en la preparación de la tierra después de arar, la mezcla de rastrojos y restos de plantas, control de malezas mecánico, la rotura de los praderas permanentes, preparación directa sin arar son sólo algunas de las muchas posibles aplicaciones de las Commander. Soportes impermeables en los soportes del rotor en la serie Medium y Heavy Duty. Los modelos HD llevan cambio de 4 velocidades, bajo pedido pueden ser equipadas con rodillos traseros.



Les fraises rotatives Commander sont appropriées pour les tracteurs de moyenne ou bas puissance.

Transmission à engrenages latérale, châssis robuste et 6 lames par bride. Elles ont différentes fonctions: préparer le sol après le labourage, mélange des chaumes et résidus végétaux, contrôle mécanique de la mauvaises herbes, préparation directe sans labourage. Supports rotor imperméables dans les séries Medium et Heavy Duty. Les modèles HD ont de série une boîte de vitesse à 4 rapports, sur demande ils peuvent monter des rouleaux arrière.

ENTRY ENG

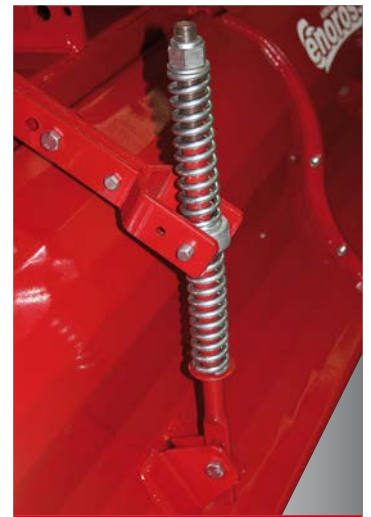
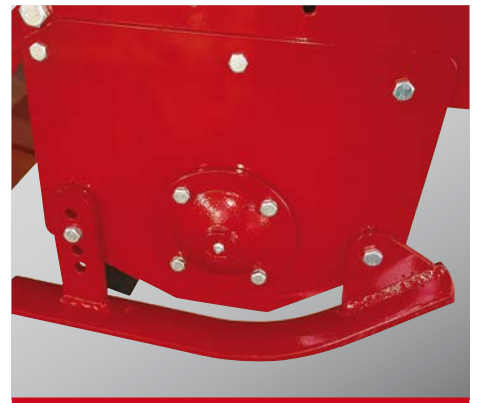


MEDIUM ENG











HEAVY DUTY ENG



COMMANDER

/ Dati tecnici
/ *Technical specifications*
/ Datos técnicos
/ *Données techniques*

 Model	 Working width	 N° Flanges	 N° Blades	 HP	 Weight
ENTRY ENG					
ENG 105 6 C	105 cm. 3.5 ft.	4	24	30/50	170 Kg. 374 Lbs.
ENG 125 6 C	125 cm. 4.1 ft.	6	36	30/50	258 Kg. 568 Lbs.
ENG 150 6 C	150 cm. 4.92 ft.	7	42	30/50	295 Kg. 650 Lbs.
ENG 165 6 C	165 cm. 5.4 ft.	8	48	30/50	308 Kg. 678 Lbs.
ENG 185 6 C	185 cm. 6.1 ft.	9	54	30/50	330 Kg. 727 Lbs.
ENG 205 6 C	205 cm. 6.72 ft.	10	60	35/60	442 Kg. 974 Lbs.
MEDIUM ENG					
ENG M 175 6 C	175 cm. 5.7 ft.	9	54	50/90	460 Kg. 1013 Lbs.
ENG M 200 6 C	200 cm. 6.56 ft.	10	60	50/90	490 Kg. 1080 Lbs.
ENG M 210 6 C	210 cm. 6.9 ft.	11	66	50/90	505 Kg. 1112 Lbs.
ENG M 230 6 C	230 cm. 7.54 ft.	12	72	50/90	532 Kg. 1172 Lbs.
HEAVY DUTY ENG					
ENG HD 185 6 C	185 cm. 6.1 ft.	7	42	50/100	586 Kg. 1291 Lbs.
ENG HD 210 6 C	210 cm. 6.9 ft.	8	48	60/105	636 Kg. 1401 Lbs.
ENG HD 235 6 C	235 cm. 7.7 ft.	10	60	70/105	720 Kg. 1586 Lbs.
ENG HD 260 6 C	260 cm. 8.53 ft.	11	66	70/105	804 Kg. 1771 Lbs.

 Tutte le macchine sono complete di cardano a frizione. / All machines are equipped with cardan shaft with slip clutch. / Todos los modelos tienen el cardan con fricción de seguridad. / Toutes les machines sont complètes avec cardan muni d'embrayage de sécurité



Via del Lavoro, snc
06019 Calzolaro di Umbertide (PG) - ITALY
+39 075 852 20 63 - +39 075 852 78 61
info@monago.it - www.monago.it



MAGFAST

/ Coltivatore Incorporatore a Dischi
 / *Disc Cultivator*
 / Cultivador de Discos
 / *Cultivateur combiné à disques*



	MAGFAST D250	MAGFAST D300	MAGFAST D450	MAGFAST D600	MAGFAST D800
Working width	300 cm. 9.9 ft.	300 cm. 9.9 ft.	450 cm. 14.8 ft.	600 cm. 19.7 ft.	800 cm. 26.2 ft.
Transport width	300 cm. 9.9 ft.	300 cm. 9.9 ft.	260 cm. 8.2 ft.	260 cm. 8.2 ft.	300 cm. 9.9 ft.
Weight	1080 Kg. 2380 Lbs.	1340 Kg. 2960 Lbs.	2650 Kg. 5850 Lbs.	3100 Kg. 6840 Lbs.	9800 Kg. 21605 Lbs.
Number of discs	24	24	36	48	64
Disc diameter	510 mm. 20 in.	560 mm. 22 in.	560 mm. 22 in.	560 mm. 22 in.	620 mm. 24.4 in.
HP	100-130 HP	110-150 HP	150-200 HP	170-240 HP	280-400 HP
Side containing discs	510 mm. 20 in.	560 mm. 22 in.	560 mm. 22 in.	560 mm. 22 in.	NA
Seeder planter hitch	•	NA	NA	NA	NA
Trailed without brakes	NA	NA	•	•	•
Running lights	NA	•	•	•	•

NA = Non disponibile / *Not available* / No disponible / *Non disponible*

• = A richiesta / *Upon request* / Bajo pedido / *Sur demande*

* = 2 rulli / *2 rollers* / 2 rodillos / *2 rouleaux*



Via B. Spinoza, 8 - Città di Castello (PG) - ITALY

+39 075 852 20 63 - +39 075 852 78 61

info@monago.it - www.monago.it





- *Versione in metallo*
- *Metal version*
- *Version en metal*
- *Version en métal*

SPANDICONCIME CENTRIFUGO MONODISCO
CENTRIFUGAL SINGLE-DISC FERTILIZER
FERTILIZADORA MONODISCO
EPANDEUR D'ENGRAIS MONO DISQUE

ALBATROS

ITA | ENG | ESP | FRA

ALBATROS

SPANDICONCIME CENTRIFUGO MONODISCO / 3CENTRIFUGAL SINGLE-DISC FERTILIZER / FERTILIZADORA MONODISCO / EPANDEUR D'ENGRAIS MONO DISQUE



DOTAZIONE STANDARD

- Attacco a 3 punti di 1a e 2a categoria
- Gruppo Riduttore a bagno d'olio
- Comando doppia leva apertura e chiusura dx e sx indipendenti
- Agitatore
- 4 ventole
- Cardano



STANDARD EQUIPMENT

- *Three point hitch, cat. I and II*
- *Oil bath gear box*
- *Double lever command, independent opening and closing right/left*
- *Agitator*
- *4 fans*
- *Pto shaft*







DOTACION ESTANDARD

- Enganche de tres puntos 1 y 2 cat.
- Reductor en baño de aceite
- Doble mando de apertura y cierre derecho e izquierdo independientes
- Agitador
- 4 ventiladores
- Cardan



EQUIPEMENT STANDARD

- *Attelage 3 points de première et de deuxième catégorie*
- *Groupe Réducteur en bain d'huile*
- *Leviers de commande ouverture et fermeture droite et gauche indépendantes*
- *Mélangeur*
- *4 épandeurs*
- *Cardan*

 Model	 Capacity	 Spreading Base	 Weight
ALBATROS 150	150 lt.	12-18 mt / 40-60 ft.	50 Kg. / 110 Lbs.
ALBATROS 250	250 lt.	12-18 mt / 40-60 ft.	54 Kg. / 119 Lbs.
ALBATROS 300	300 lt.	12-18 mt / 40-60 ft.	56 Kg. / 123 Lbs.
ALBATROS 400	380 lt.	12-18 mt / 40-60 ft.	58 Kg. / 128 Lbs.
ALBATROS 500	420 lt.	12-18 mt / 40-60 ft.	60 Kg. / 132 Lbs.
ALBATROS 500 PVC	420 lt.	12-18 mt / 40-60 ft.	58 Kg. / 128 Lbs.
ALBATROS 150 INOX	150 lt.	12-18 mt / 40-60 ft.	50 Kg. / 110 Lbs.
ALBATROS 250 INOX	250 lt.	12-18 mt / 40-60 ft.	54 Kg. / 119 Lbs.
ALBATROS 300 INOX	300 lt.	12-18 mt / 40-60 ft.	56 Kg. / 123 Lbs.
ALBATROS 400 INOX	380 lt.	12-18 mt / 40-60 ft.	58 Kg. / 128 Lbs.
ALBATROS 500 INOX	420 lt.	12-18 mt / 40-60 ft.	58 Kg. / 128 Lbs.
ALBATROS 150 Z*	150 lt.	12-18 mt / 40-60 ft.	50 Kg. / 110 Lbs.
ALBATROS 250 Z*	250 lt.	12-18 mt / 40-60 ft.	54 Kg. / 119 Lbs.
ALBATROS 300 Z*	300 lt.	12-18 mt / 40-60 ft.	56 Kg. / 123 Lbs.
ALBATROS 400 Z*	380 lt.	12-18 mt / 40-60 ft.	58 Kg. / 128 Lbs.
ALBATROS 500 Z*	420 lt.	12-18 mt / 40-60 ft.	58 Kg. / 128 Lbs.

*Zincato. / Galvanized. / Galvanizado. / Galvanisé.

Monago si riserva il diritto di variare in ogni momento e senza preavviso caratteristiche e specifiche tecniche. / Design and/or specifications are subject to change without notification. / Monago se reserva el derecho a modificar en cualquier momento y sin previo aviso las características y especificaciones técnicas.

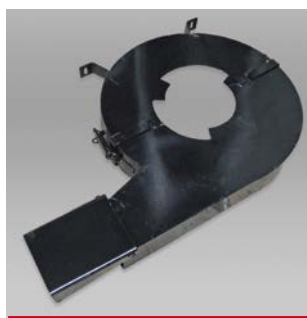


Via del Lavoro, snc
06019 Calzolaro di Umbertide (PG) - ITALY
☎ +39 075 852 20 63 - 📠 +39 075 852 78 61
info@monago.it - www.monago.it



ALBATROS

SPANDICONCIME CENTRIFUGO MONODISCO / 3CENTRIFUGAL SINGLE-DISC FERTILIZER / FERTILIZADORA MONODISCO / EPANDEUR D'ENGRAIS MONO DISQUE



Convogliatore laterale. / *Side Conveyor.* /
Transportador lateral. / *Convoyeur latéral.*



Convogliatore doppio. / *Double Conveyor.* /
Doble Transportador. / *Convoyeur double.*



Agitatore articolato. / *Articulated Agitator* /
Agitador Articulado / *Mélangeur articulée.*

Accessori ALBATROS / *Optional ALBATROS* / *Accesorios ALBATROS* / *Accessoires ALBATROS*

Comando a distanza meccanico / *Long distance mechanical device* / Mando mecánico a distancia / *Télécommande mécanique*

Comando a distanza idraulico / *Long distance hydraulic device* / Mando hidráulico a distancia / *Télécommande hydraulique*

Convogliatore laterale / *Side conveyor* / Transportador lateral / *Convoyeur latéral*

Doppio convogliatore / *Double conveyor* / Doble transportador / *Double convoyeur*

Agitatore articolato / *Articulated agitator* / Agitador articulado / *Mélangeur articulé*

Griglia / *Grill* / Malla / *Grille*

Griglia rinforzata / *Heavy grill* / Malla reforzada / *Grille renforcée*

Disco spargimento e ventole Inox / *Inox spreading disc* / Disco esparcimiento y ventiladores en Inox / *Disc d'épandage en inox*

Disco spargimento con 6 ventole / *Spreading disc with 6 fans* / Disco esparcimiento con 6 ventiladores / *Disc d'épandage à 6 épandeurs*

Disco spargimento Inox con 6 ventole / *Inox spreading disc with 6 fans* / Disco esparcimiento en inox con 6 ventiladores / *Disc d'épandage à 6 épandeurs en inox*

Protezioni CE e Italia / *Safety protection for Italy/CE* / Protecciones para CE/Italy / *Protections UE*

Costo per macchine montata / *Extra cost for assembled unit* / Precio para equipo montado / *Frais pour machine montée*

Monago si riserva il diritto di variare in ogni momento e senza preavviso caratteristiche e specifiche tecniche. / Design and/or specifications are subject to change without notification. / Monago se reserva el derecho a modificar en cualquier momento / sin previo aviso las características y especificaciones técnicas.



Via del Lavoro, snc
06019 Calzolaro di Umbertide (PG) - ITALY
☎ +39 075 852 20 63 - 📠 +39 075 852 78 61
info@monago.it - www.monago.it

